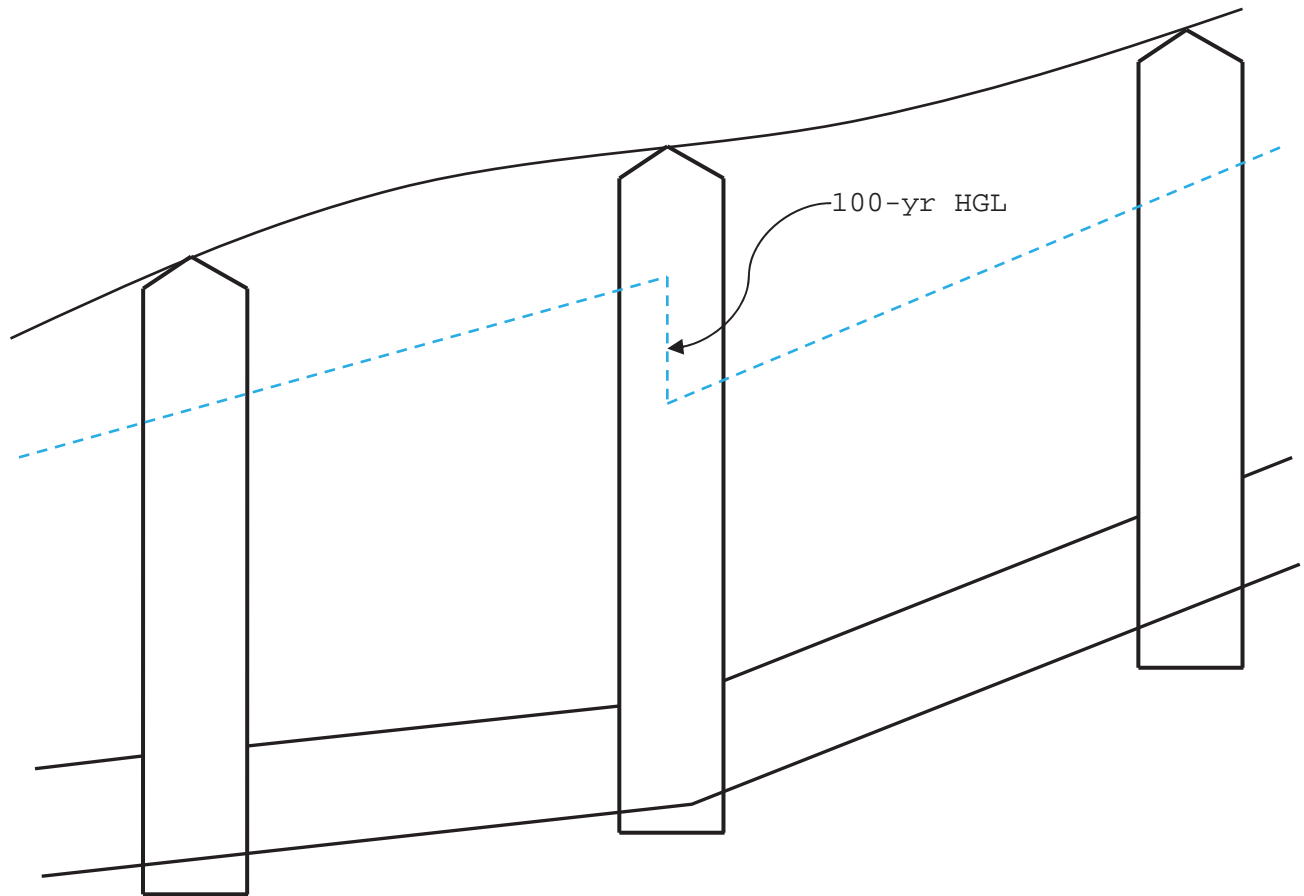


# WSPGW Illustrated

Liuzong Zhou Ph.D., P.E.



Terra Hydra Consulting, Inc.

© 2010-2020 Terra Hydra Consulting, Inc.  
All Rights Reserved.

# Table of Contents

<b>Chapter 1.</b>	<b>Introduction</b> .....	<b>1</b>
1.1	About WSPGW .....	1
1.2	Purpose of this book .....	1
1.3	Who should read? .....	2
<b>Chapter 2.</b>	<b>Program installation</b> .....	<b>3</b>
2.1	Installation .....	3
2.2	Encoding .....	10
2.3	Path configuration .....	12
<b>Chapter 3.</b>	<b>Program arrangements</b> .....	<b>13</b>
3.1	Overview .....	13
3.2	Main menu .....	16
3.3	Operation .....	19
<b>Chapter 4.</b>	<b>Working with elements</b> .....	<b>67</b>
4.1	SO – System outlet .....	67
4.2	BE – Bridge entrance .....	67
4.3	BX – Bridge exit .....	72
4.4	R – Reach .....	81
4.5	TS – Transitional structure .....	82
4.6	JX – Junction structure .....	95
4.7	WE – Wall entrance .....	114
4.8	WX – Wall exit .....	121
4.9	SH – System headwork .....	128
4.10	EQ – Change in stationing .....	129
4.11	REM – Remarks line .....	133
<b>Chapter 5.</b>	<b>Working with channel types</b> .....	<b>137</b>
5.1	Trapezoidal .....	137
5.2	Rectangular .....	142
5.3	Box or Covered Trapezoidal .....	147

---

5.4	Pipe.....	152
5.5	Irregular open channel.....	155
5.6	Irregular covered channel.....	163
Chapter 6.	Working with WSPGW output files.....	173
6.1	EDT files .....	173
6.2	PWS files.....	173
6.3	DXF files .....	174

## References